

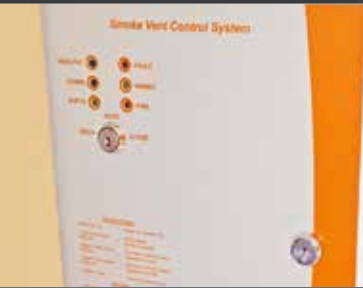
Controls

Dampers

Roof Vents

AOV Windows

Actuators



**Product
Catalogue**

Smoke Control & Natural Ventilation Specialists

www.smokecontrolsystems.co.uk



Our Services

Smoke Control Systems are specialists in the design, supply and installation of automatic smoke control and natural ventilation systems.

We have the experience and extensive knowledge to assist contractors, consultants architects, builders & developers with the initial design consultations to ensure the chosen systems to be supplied and installed meet you, and your clients requirements and obligations. We are totally dedicated to assisting all customers with product information, selection and system design irrespective of the location within the United Kingdom.

From standard stairwell panels operating a single window to purpose built, multi-zoned panels controlling hundreds of vents, we offer the perfect solution for literally every Smoke Control or Natural Ventilation requirement.



**Smoke
Control
Systems**

Tel: 0121 286 0268

Email: info@smokecontrolsystems.co.uk

www: www.smokecontrolsystems.co.uk

Our Solutions & Products

With first class customer service, full technical backup, and top quality products, we guarantee the supply and installation of a trouble free system.

Our solutions ensure the building's occupants are protected while access and escape routes are free from smoke. They also reduce the risk of a fire developing further by delaying or preventing flashover, and reduce the risk of damage to the building and it's contents while helping firefighters control and extinguish a fire. From standard stairwell panels operating a single window to purpose built, multi-zoned panels controlling hundreds of vents, we offer the perfect solution for literally every smoke control or natural ventilation requirement.



CONTROLS

Smoke and heat control systems Part 10: Power Supplies. Any Control Panel operating an AOV vent must comply with Part 10 of EN12101. Amongst many requirements this standard stipulates that there must be at least two independent power sources, each must be capable of operate the vent if the other fails.



ROOF VENTS

With UK stock of 1.0m² and 1.5m² aluminium louvered and flap style smoke ventilators we can deliver an EN certified solution to most parts of the UK within 24 hours.



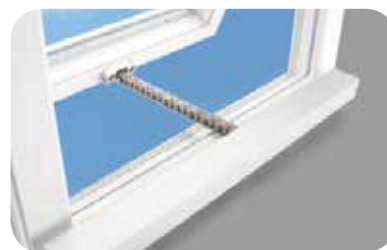
DAMPERS

Avantage is a 1 and 2 hour fire resistant smoke control damper suitable for multi compartment applications of smoke control such as lobby to smoke shaft ventilators. The product is based on a damper door design and has been tested and certified to EN12101-8 achieving 1 and 2 hour fire rating. This is particularly important so to maintain the fire integrity of any shaft.



AOV Windows

The Construction Products Regulation could outlaw the use of an actuator being fitted onto a door or window to form an Automatically Opening Ventilator (AOV) unless that "Actuator Vent/window/door combination" has been tested as a complete assembly and CE marked accordingly. This is because what is so formed by joining two separate items cannot be classed as a design assembly.



ACTUATORS

Stocking a complete range of actuators from 380mm up to 1200mm in chain and linear style including twin versions we can find a solution to all types of ventilation requirements and usually despatch within 24 hours. The range includes Ferralux, Ultraflex, Topps, Windowmaster and Simons RWA.



Tel: 0121 286 0268

Email: info@smokecontrolsystems.co.uk

www.smokecontrolsystems.co.uk

VIEW OUR PRODUCT DATASHEETS



Datasheet - Controls VCS-S2

24v DC
5amp
Single Zone Controller

Applications:

Smoke Ventilation
Daily Ventilation
Multizone



- When installed correctly unit is compliant with EN12101-10.
- Complete with 72 hour battery back up on mains failure.
- Complete with lead acid batteries.
- Relay to provide volt free indication of common faults.
- Open circuit cable detects, power supply failures, removal of batteries etc.
- Open circuit cable detect motor lines.
- Auto-test front of panel key switch enables testing and opening / closing of actuators connected.
- Primary inputs; fire fighters override, call point, smoke detector, fire alarm.
- Secondary inputs; manual switch, thermostat, rain sensor.
- Facility for smoke heads to be automatically reset.
- Stand-alone single zone panel to suit stairwell vents.
- Inter-linkable via a 2 core and e FP200+ cable to create a multi zone system including slave options for head of stair and head of shaft.
- Networkable via a RS485 data loop and controllable remotely via a Central Network Controller (Commsmaster)



CODE: VCS-S2

Voltage (Input)	230vAC +10% -7	Colour	Grey
Voltage (Output)	24v DC min 19 max 29.5	Dimensions	230 x 310 x 120mm
Output Current	5A	Networkable	Yes



Tel: 0121 286 0268
Email: info@smokecontrolsystems.co.uk
www.smokecontrolsystems.co.uk

BUY ONLINE NOW ON OUR WEBSITE

Datasheet - Controls Commsmaster Visio

24v DC System Controller

Applications:

Smoke Ventilation
Daily Ventilation
Multizone



Smoke Control Systems(Programmable-Addressable Control System) is an ideal solution to control multiple vents and inputs while reducing cabling and associated costs.

With the addition of a small communication board to our existing VCS-S1 control panels the need for need for large multi-zone control panels is no longer required, reducing on average wiring costs by 75%.

Features

Master Controller operates up to 200 outstations as a stand alone system or can be integrated with an existing Fire Alarm System.

Master Controller

- Touch screen digital display gives the authorised personnel complete control of the AOV system
- Ability to override any automatic signals that the outstations have received.
- Monitors all outstations and display any faults reported or status or vents.

Outstations

- Work autonomously and report their status back to the Master Controller
- Inputs from Fire Alarm, Break Glass Call Point, Smoke Sensors and Firefighters Override switch.
- Outputs 24Vdc up to 10 amps for: 2 wire polarity inversion actuators, 3 wire drive open - drive close actuators, 3 wire drive open hold open actuators or 2 wire solenoid drives



CODE: Commsmaster Visio

Voltage (Input)	230vAC +10% -7	Colour	Grey
Voltage (Output)	24v DC min 19 max 29.5	Dimensions	230 x 310 x 120mm
Number of Outstations	5A	Networkable	Yes

Datasheet - Vents EMV

24v DC

2-4.8amp

Roof Vent

Applications:

Smoke Ventilation

Daily Ventilation

Multizone



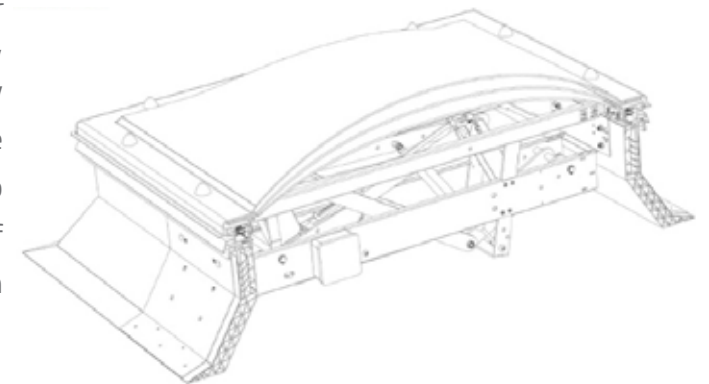
Em-Vents are CE marked EN 12101-2 compliant electrically operated smoke vent rooflights designed to reduce smoke and heat build up in buildings in the event of fire. They are fitted with an integrated automatic opening vent actuator. Em-Vent smoke vent skylights allow key fire escape routes such as stairwells and corridors to remain usable with minimal smoke build-up. Combined with Em-Dome skylights, they also help maximise natural light. Available with either glazed or solid covers, Em-Vent smoke ventilators come in a wide range of shapes and sizes appropriate for various site requirements and to meet building regulations. These flat roof smoke ventilators open to 160° which exceeds the requirements of the new Smoke Vent Standard EN 12101-2.

Size Range

Em-Vent Smoke Ventilators are available in an unrivalled range of over 55 sizes in square, rectangular and circular shapes. Most of these are available from stock.

Glazing

The glazing element can be chosen from the wide range of options in the Em-Dome Polycarbonate Rooflight range such as single, double or triple layers, clear, opal diffused, bronze or Heat Reflect in dome or pyramid profile. The key benefit of this is that it allows natural light into the building. All polycarbonate glazing has an impact strength 250 times greater than glass and is AA fire rating to BS476 Part 3. Covered by a 10 years warranty against discolouration and loss of impact strength. Alternatively Em-Vents can be supplied with an insulated solid cover.



Datasheet - Dampers Avantage

24v DC

1amp

Smoke Control Damper

Applications:

Smoke Ventilation

Daily Ventilation

Multizone



Avantage smoke control dampers are noted for their superior airtight properties, offering fire-resistance of 60 to 120 minutes with the minimum of pressure loss. Available as single (1V) and double (2V) shutter units the Avantage 1V models are available in a motorised version (ME). Smoke Control Dampers are proprietary products for the evacuation and transfer of smoke in emergency situations whilst maintaining fire resistant integrity in standby position. Suitable for use in ventilating protected lobbies, venting to shafts either naturally or mechanically for fan assisted shaft extract and pressurisation systems

- Throat width: mini 300, maxi 1100 mm.
- Throat height: mini 385, maxi 1075 mm.

Certified to EN12101pt 8 (certificate on request)

Dimensions (see drawing D10510)

Materials

Frame Extruded aluminium with Smoke seals

Flaps Calcium Silicate fire board and Intermisant fire seals

Grille Satin silver anodised



CODE: AV06-AV10-AV15

Voltage (Input)	24vDC	Colour	SAA with black dust coat
Open time	<5 seconds	Dimensions	230 x 310 x 120mm
Output Current	1A	Open /Close	Reportable

Datasheet - Windows FLW

24v DC

2amp

AOV Window

Applications:

Smoke Ventilation

Daily Ventilation

Multizone

Certified in accordance with EN 12101-2, thermally broken extruded aluminium frames, with double-glazing.

Louvres flush-fitting with external frame when closed. Concealed operating mechanism, comprising maintenance-free rack and pinion, providing smooth, synchronized operation of the louvre blades.

Delivered fully glazed or ready for on-site glazing, tested and installation ready.

Installation:

- Curtain-walling
- Glazing systems
- Masonry openings

Dimensions

- Frame depth: 65mm
- Frame height:
- Horizontal elements: 20mm
- Vertical elements: 40mm
- Louvre blade frame height: 20mm



CODE: FLW

Air permeability	0.41 m ³ /hr/m ² @ 50 Pa	Colour	To Order
Water tightness	150 Pa – EN 12208	U-value	2.3 W/m ² K
Input Current	2A	Wind pressure	up to 3000 Pa – EN 12101-2

Datasheet - Actuators KS2

24v DC

<1amp

Chain Actuator

Applications:

Smoke Ventilation

Daily Ventilation

Multizone



Chain drives from AUMÜLLER have a slim and attractive, robust aluminium housing, which encloses the microprocessor-controlled electronics, the motor gearbox unit and the chain box.

The stainless steel chains are of a basically "rigid-back" design. It caves on in itself in one direction to retract into the housing. In the other direction, the so-called "rigid-back position", they can be subjected to pressure when extending. The pressure forces depend on the size and shape of the chain links and the stroke length. Chain drives therefore generally have different pulling and pushing forces. Drives with long strokes are used mainly for tensile loads.

The integrated microprocessor regulates the drive force by means of an electronic positioning encoder in relation to the stroke length. The soft-start and soft-stop both protect the window drive against overload, and the opening casement as well as the attachment elements against premature wear. The synchronous operation of several window drives are possible, as well as various customer- and object-specific configurations. Due to their slim design, chain drives from AUMÜLLER lie flat on the window profiles and protrude only a little into the room. They are used in SHEV systems and for natural ventilation via automated windows, mainly in façades. The application area includes side-hung, bottom-hung, top-hung, friction hinged and parallel outward opening windows.

Because of a microprocessor-controlled load dependent cut-off switch, synchronous operation with multi drive applications or sequential controls with locking drives or object-specific special solutions are possible without additional devices.



CODE: VCS-S2

Voltage (Input)	24v DC	Colour	SAA
Output Current	0.6A	Strokes	300,400,500,600,800mm
Force/Speed	250-50N 7.9mm/sec	OPERATION	Polarity inversion

Contact us

We provide the perfect solution for all smoke control & natural ventilation solutions, for the many types of client that require compliant & professional products & services.

Design ■ Installation ■ Supply ■ Service & Maintenance ■ Compliance



Smoke Control & Natural Ventilation **Specialists**

T: 0121 286 0268

E: info@smokecontrolsystems.co.uk

Smoke Control Systems Ltd
Head Office, 8a, Orchard Industrial Estate,
Toddington, Cheltenham GL54 5EB

www.smokecontrolsystems.co.uk